

CINEFILM

MOTION PICTURE FILM PROCESSORS



FEATURING
MAGNETIC COUPLED
DEMAND DRIVE

CINEFILM SUPPLY COMPANY



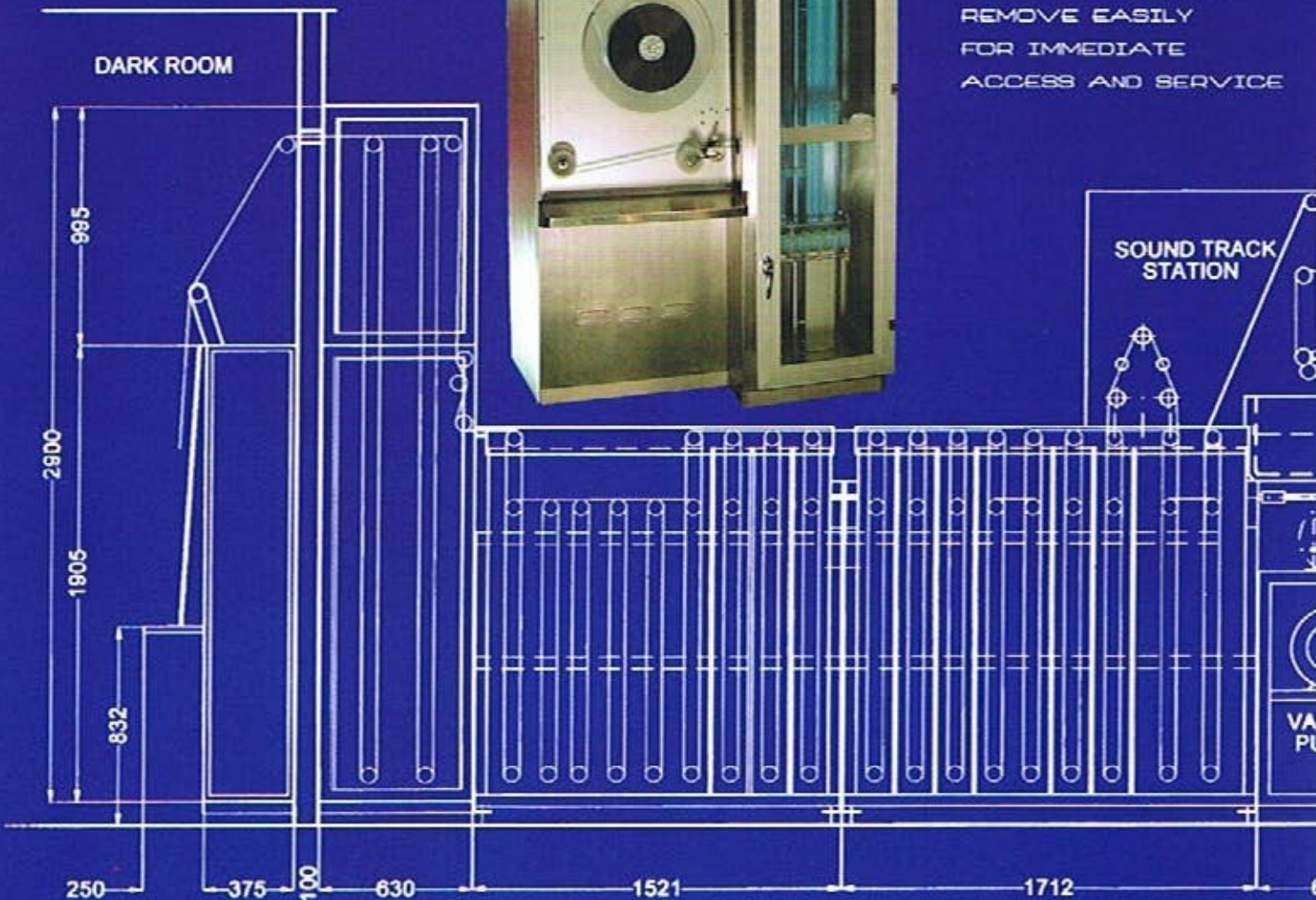
CINEFILM MODULAR PROCESSORS ARE BUILT FROM HIGH QUALITY MATERIALS INCLUDING GRADE 316 STAINLESS STEEL, TITANIUM, AND RIGID PVC. CINEFILM PROCESSORS ARE AVAILABLE FOR ANY PHOTOGRAPHIC PROCESS



A RELIABLE MAGNETIC DRIVE SYSTEM ALLOWS THE DEVELOPER AND ALL OTHER WET SECTION RACKS TO BE DRIVEN WITHOUT THE NEED FOR GEARS, CHAINS, AND SPROCKETS. RACKS REMOVE EASILY FOR IMMEDIATE ACCESS AND SERVICE

THE STANDARD DARKROOM LOADER HAS TWO FEED-ON PLATES AND AN EXTRA LARGE ELEVATOR, GIVING LOADERS PLENTY OF TIME FOR ROLL CHANGES

FULL DAYLIGHT MACHINES ARE AVAILABLE





ALL SYSTEM COMPONENTS ARE MOUNTED ON THE REAR SIDE OF THE PROCESSOR FOR EASY MAINTENANCE.

NARROW PROFILE ALLOWS FOR INSTALLATION IN LIMITED SPACE



IMPINGEMENT DRYING PLENUMS IN TEMPERATURE CONTROLLED DRYING CABINETS GIVE SAFE, EFFICIENT FILM DRYING AT ANY SPEED. PANELS ARE REMOVABLE FOR EASY CLEANING AN OVERSIZE ELEVATOR GIVES OPERATORS PLENTY OF TIME FOR ROLL CHANGES

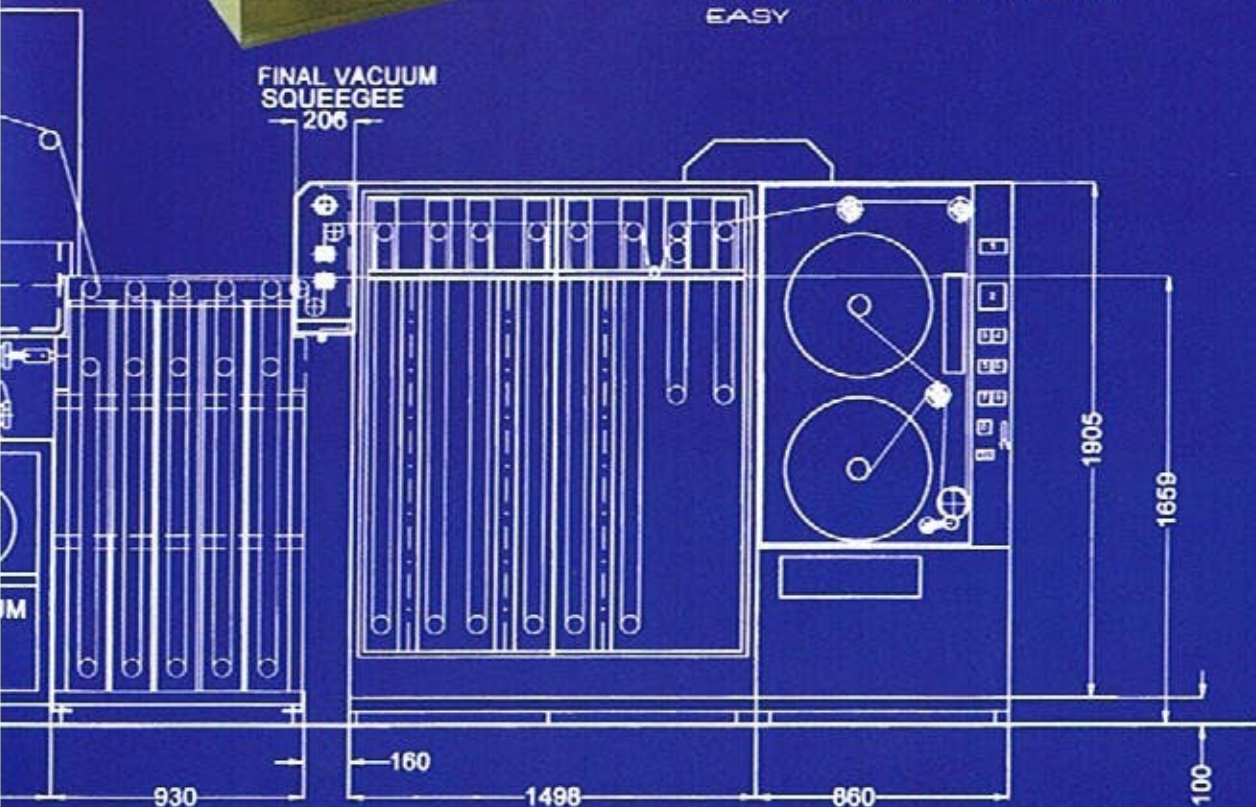


SIMPLE ELECTRO/MECHANICAL AND DIGITAL CONTROLS MAKE OPERATION, CALIBRATION, AND IN-HOUSE SERVICING EASY



FINAL VACUUM SQUEEGEE

206



MINI-MAX
MOTION PICTURE FILM PROCESSORS

CINEFILM

MOTION PICTURE FILM PROCESSORS

FEATURES

16/35MM MAGNETIC COUPLED DEMAND DRIVE SYSTEM
PROVIDES GENTLE TENSION IN ALL PROCESSOR SECTIONS

STAINLESS STEEL, TITANIUM, RIGID PVC CONSTRUCTION

MAGNETIC COUPLED RECIRCULATION PUMPS

MAGNETIC COUPLED TURBULATION PUMPS

RELIABLE VARIABLE SPEED AC DRIVE MOTOR

FULLY SUBMERGED FILM RACKS IN ALL WET SECTIONS

TANKS HAVE BUILT-IN COOLING COILS WHERE REQUIRED

AUTOMATIC REPLENISHER SYSTEM WITH FILM FORMAT SENSOR
AUTOMATICALLY ADJUSTS TO PROCESSOR SPEED

MODULAR DESIGN FOR ANY LABORATORY LAYOUT

PRECISION DIGITAL CONTROLS FOR SPEED AND TEMPERATURE

FILM RUN OUT ALARM AND FILM BRAKE ON FEED-ON PANELS

NON-RETURN ROLLER AND FOOTAGE COUNTER ON TAKE-UP PANELS
PARTICLE TRANSFER ROLLERS OPTIONAL

2000 OR 4000 FT. FEED-ON AND TAKE-UP PLATES
SUBJECT TO SPEED AND PROCESS

SIMPLE ON-SITE MAINTENANCE

PROCESSOR INCLUDES OPERATIONAL ACCESSORIES SUCH AS:
AUTO REPLENISHER SYSTEM OR FLOWMETER PANEL
VACUUM ASSEMBLY WITH PUMP, SILENCER, AND WATER SEPARATOR
WASH AND COOLING WATER MANIFOLDS

WE BUILD PROCESSORS FOR ANY PHOTOGRAPHIC PROCESS

WE SUPPLY:

A COMPLETE RANGE OF LAB EQUIPMENT AND ACCESSORIES
PROCESSING EQUIPMENT INSTALLATION AND SERVICE
A COMPREHENSIVE INVENTORY OF SPARES AND CONSUMABLES
LABORATORY DESIGN AND CONSULTANCY SERVICES

CINEFILM SUPPLY COMPANY
PO Box 387
MIRANDA, NSW 1490
AUSTRALIA
TEL/FAX : 61-2-9545 6322

EMAIL: FTS-INTERNATIONAL@OPTUSNET.COM.AU